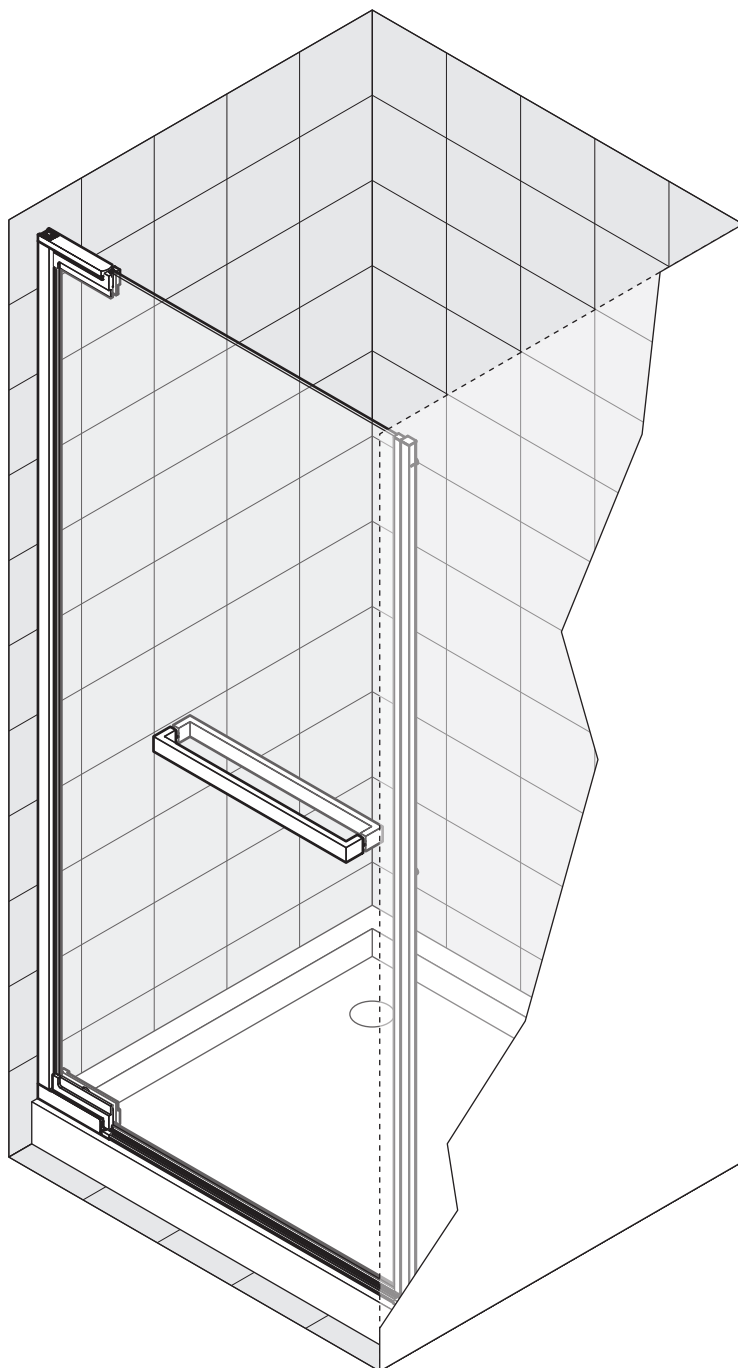
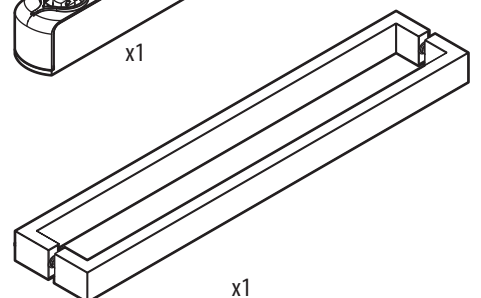
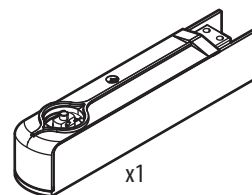
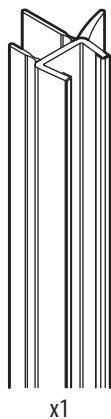
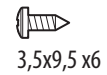
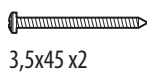
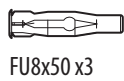
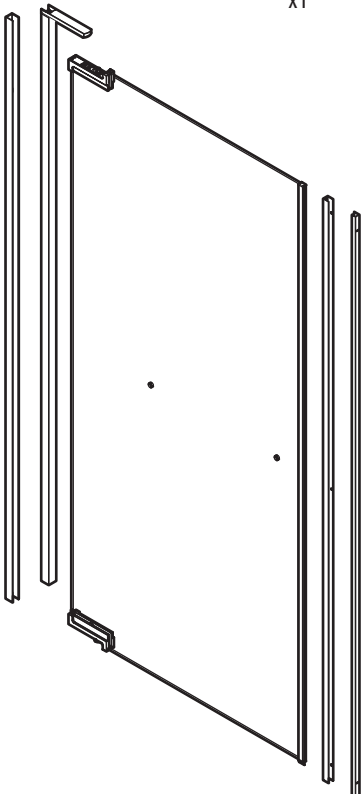
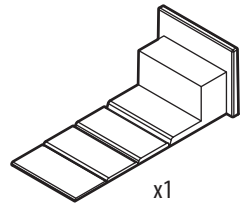
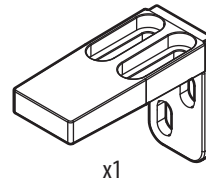
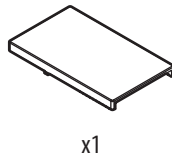
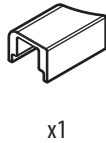
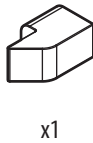
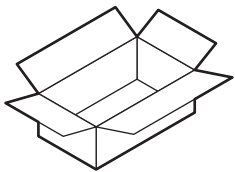
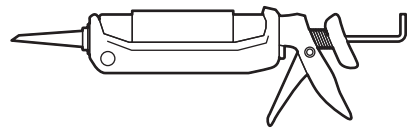
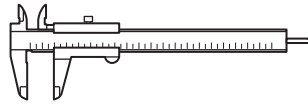
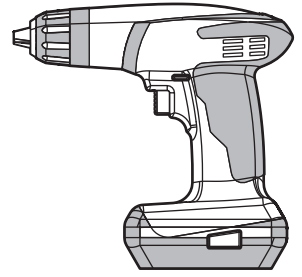
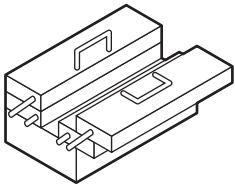


N180

 **NOVELLINI**

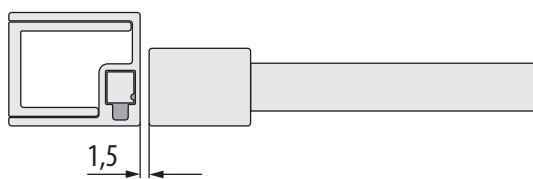
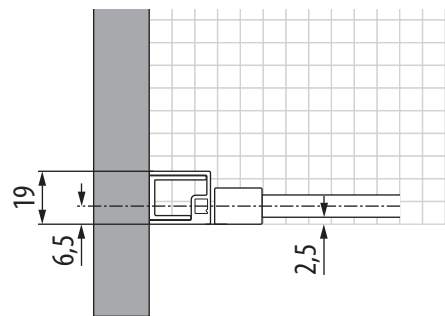
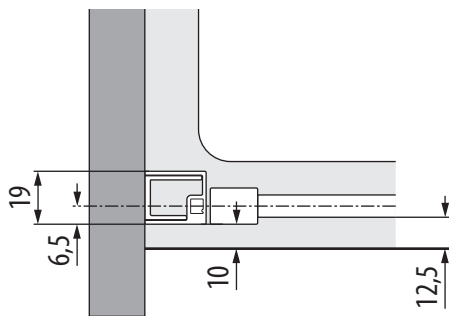
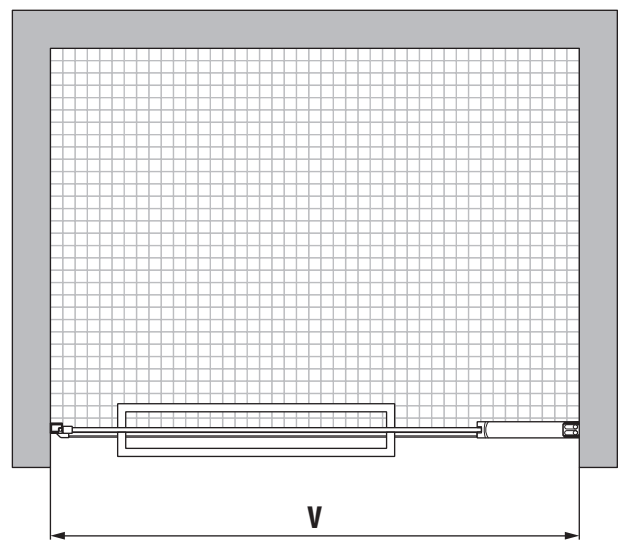
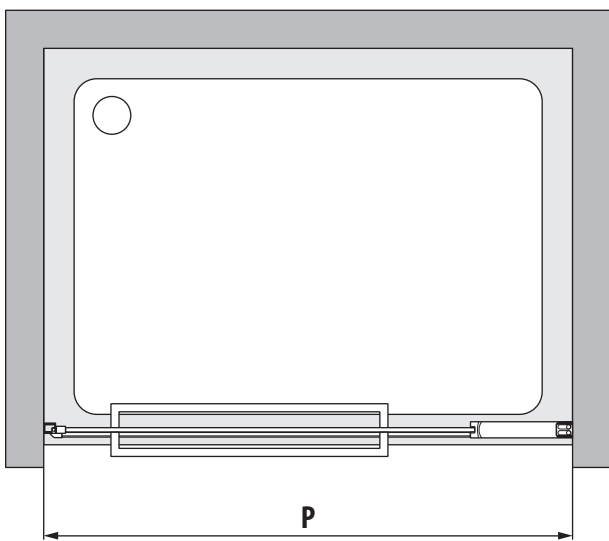
1B



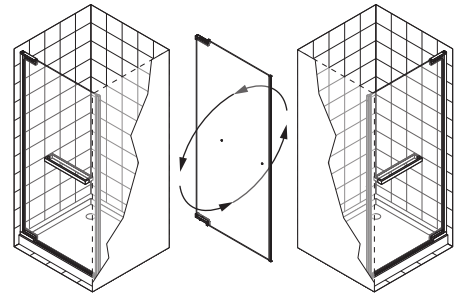
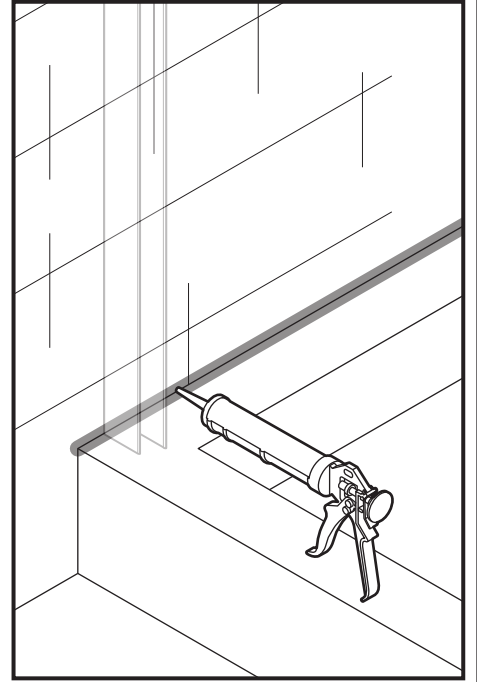
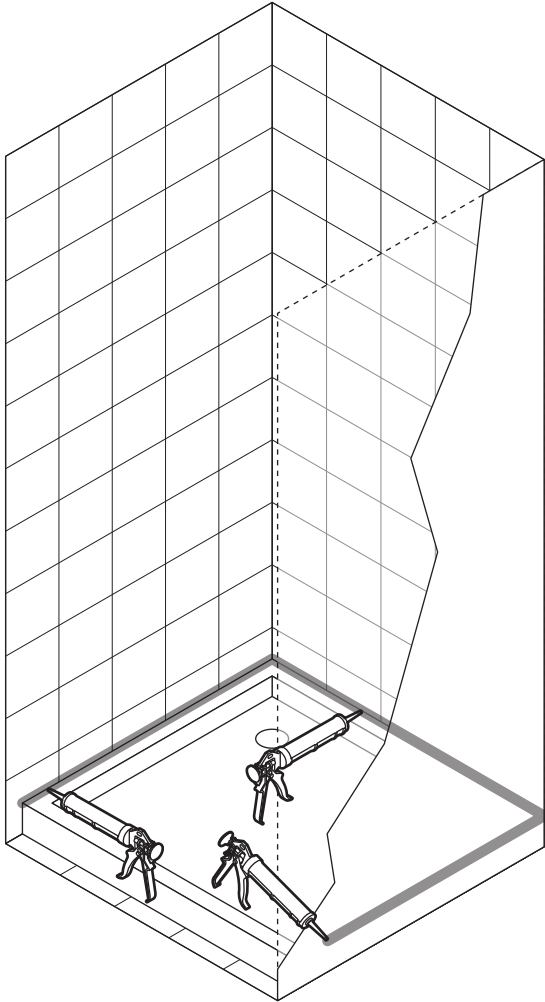


1B	P
79	775-790
80	785-800
89	875-890
90	885-900
99	975-990
100	985-1000

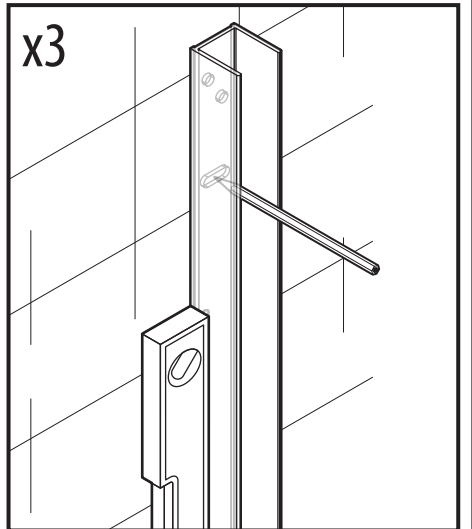
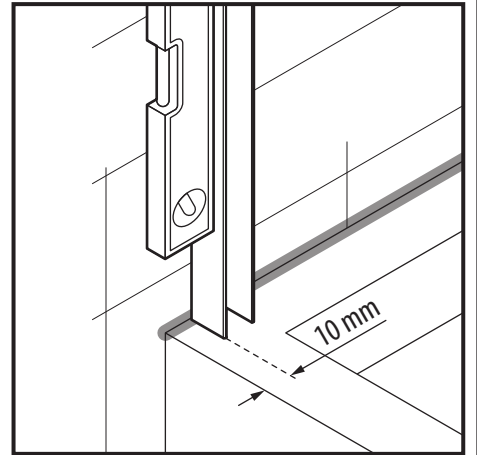
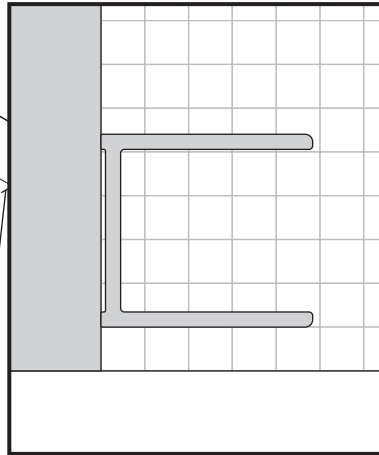
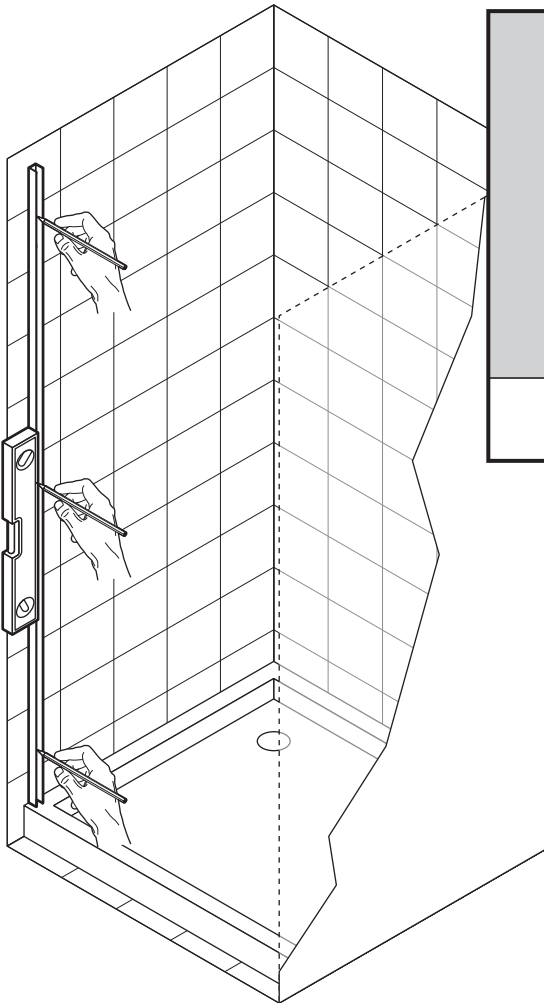
1B	V
79	775-790
80	785-800
89	875-890
90	885-900
99	975-990
100	985-1000



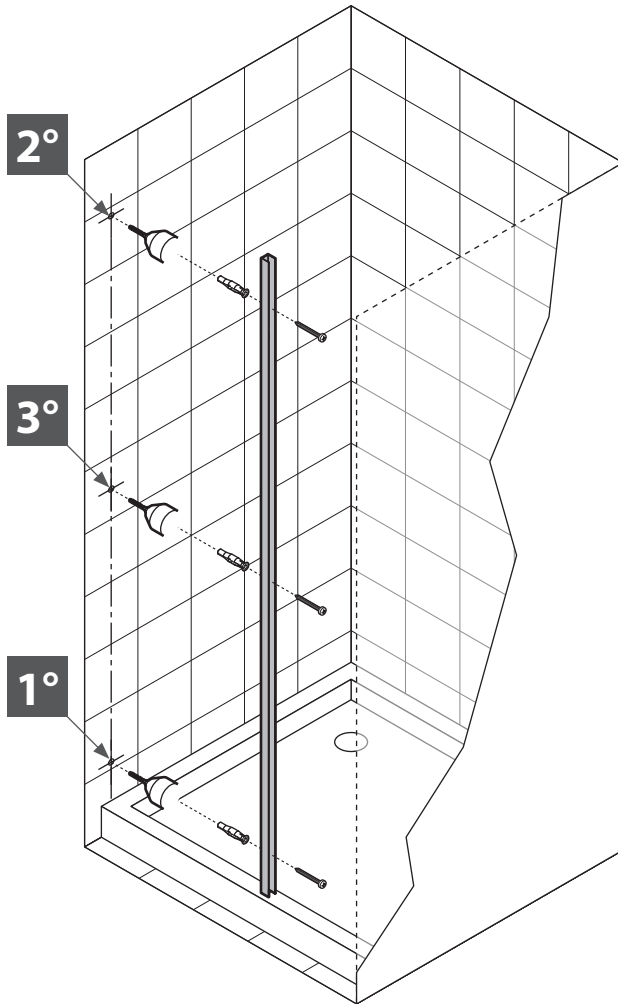
1



2



3



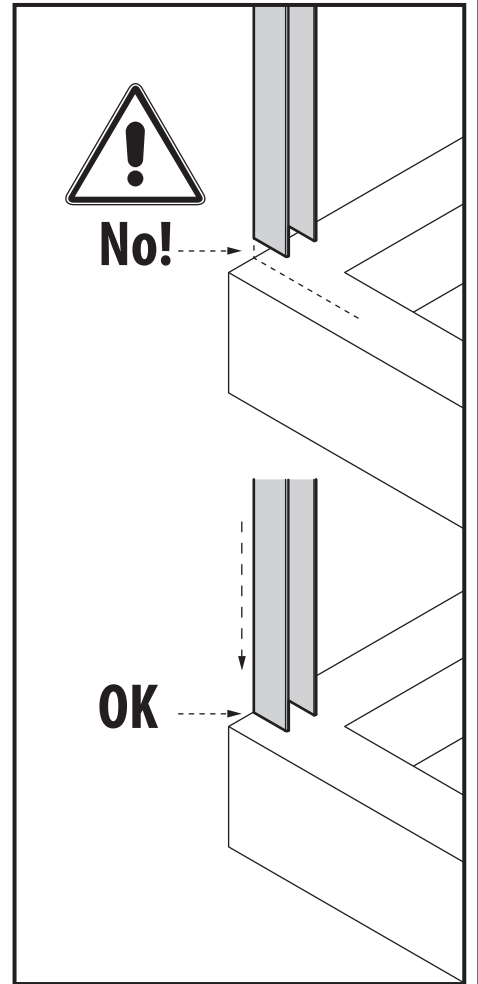
FU8x50 x3



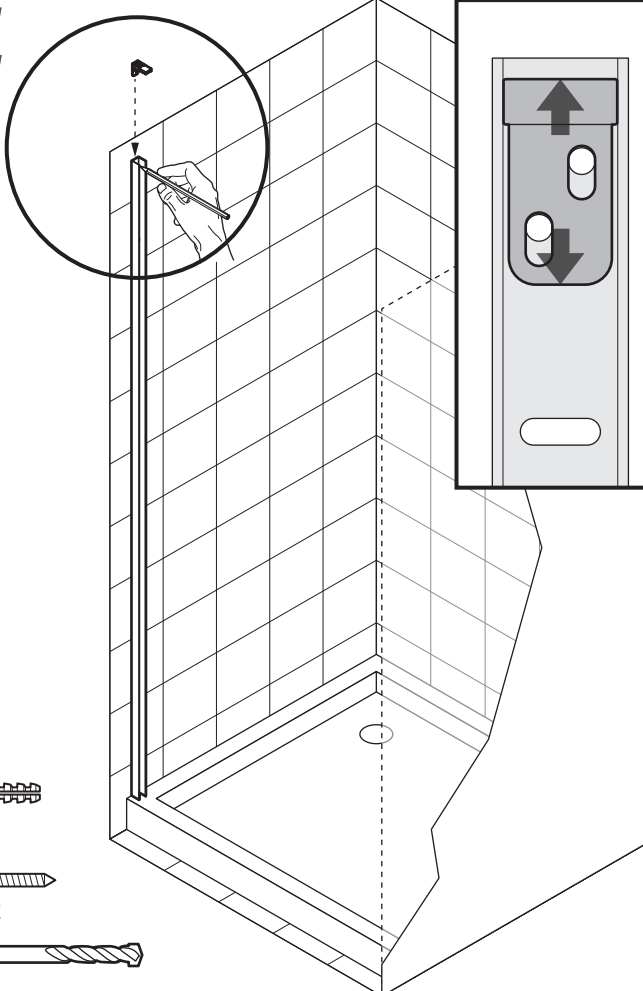
4,5x60 x3



ø8 mm



4



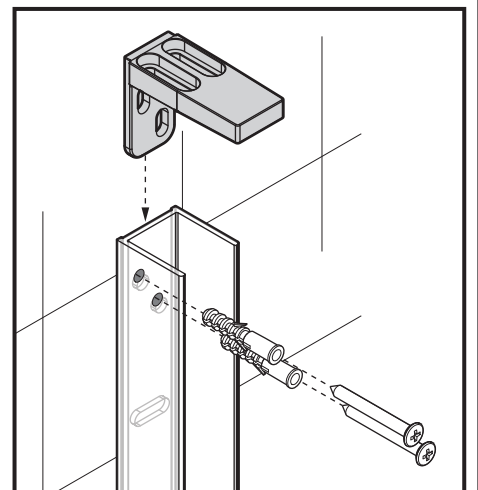
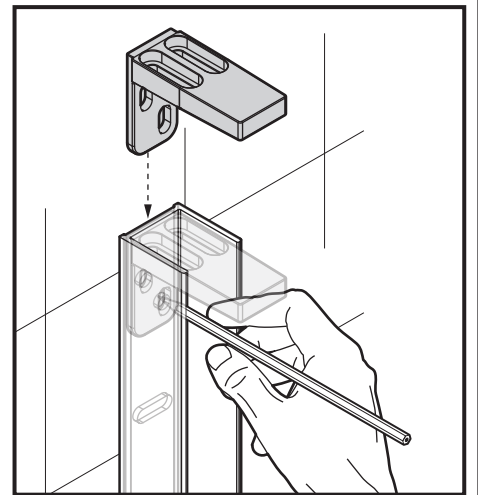
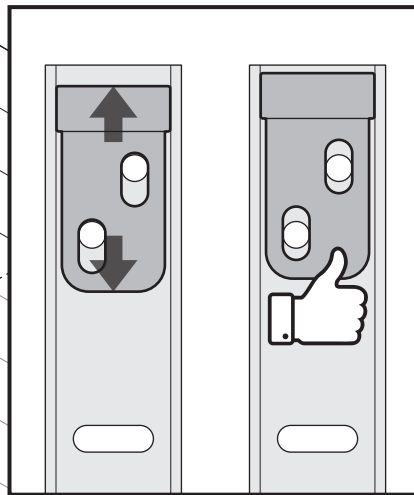
S6 x2



4x35 x2

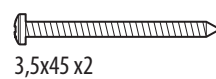
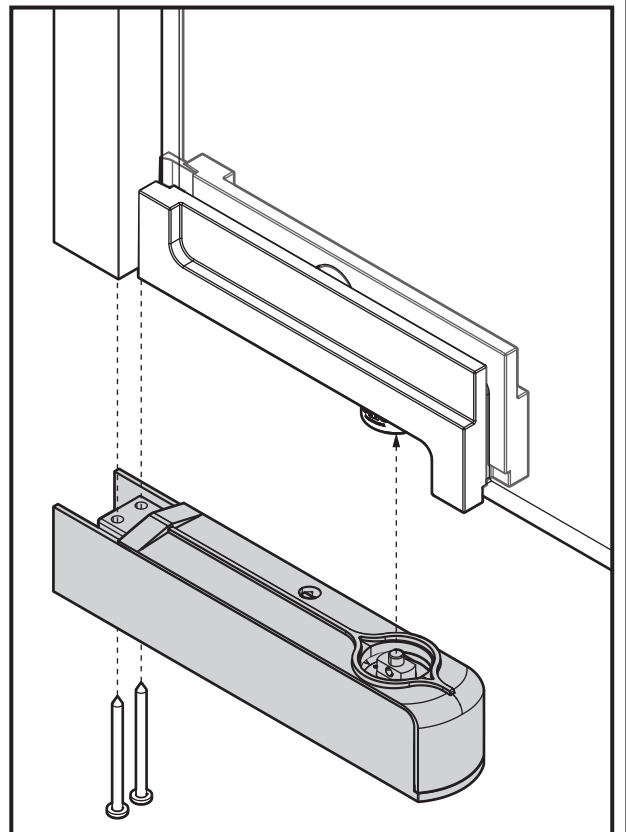
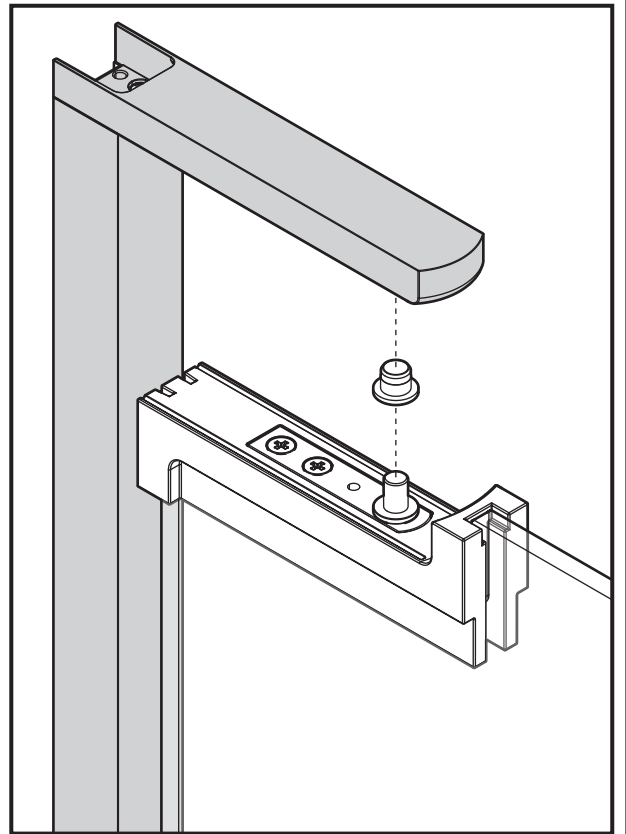
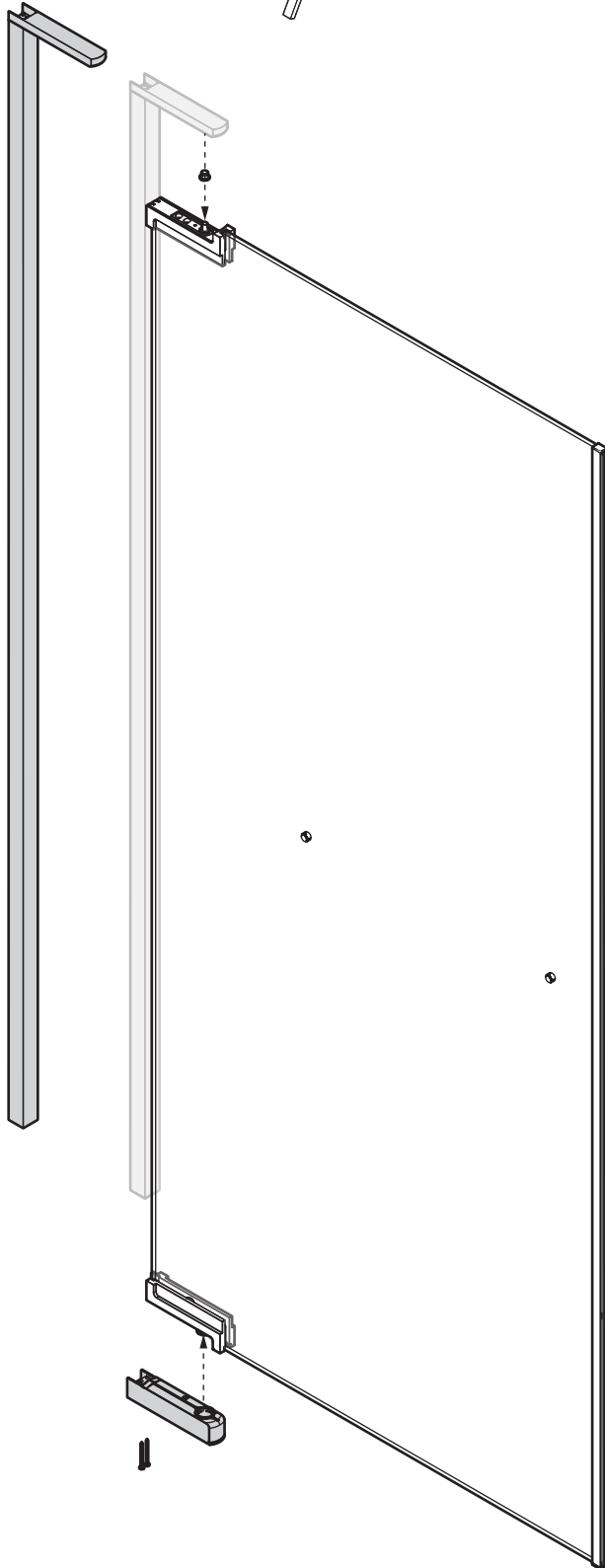
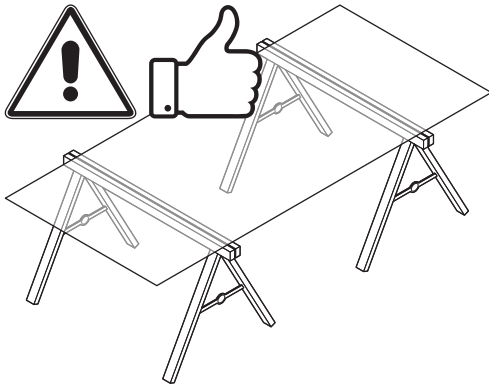


ø6 mm



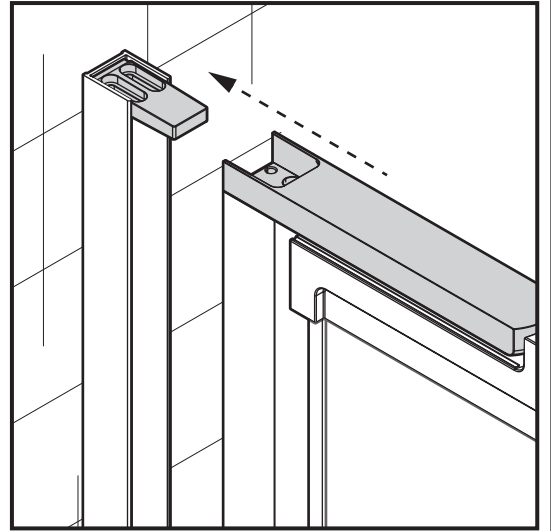
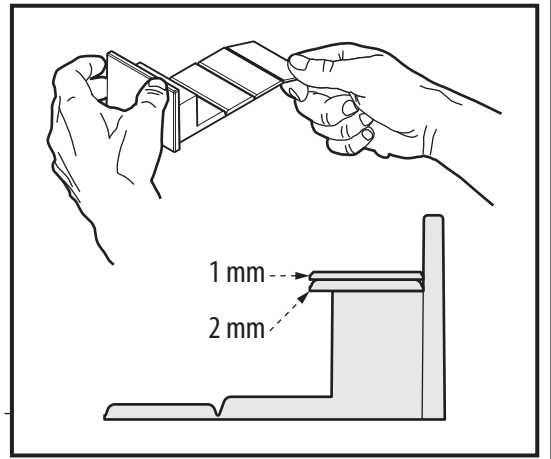
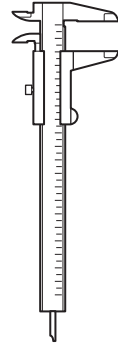
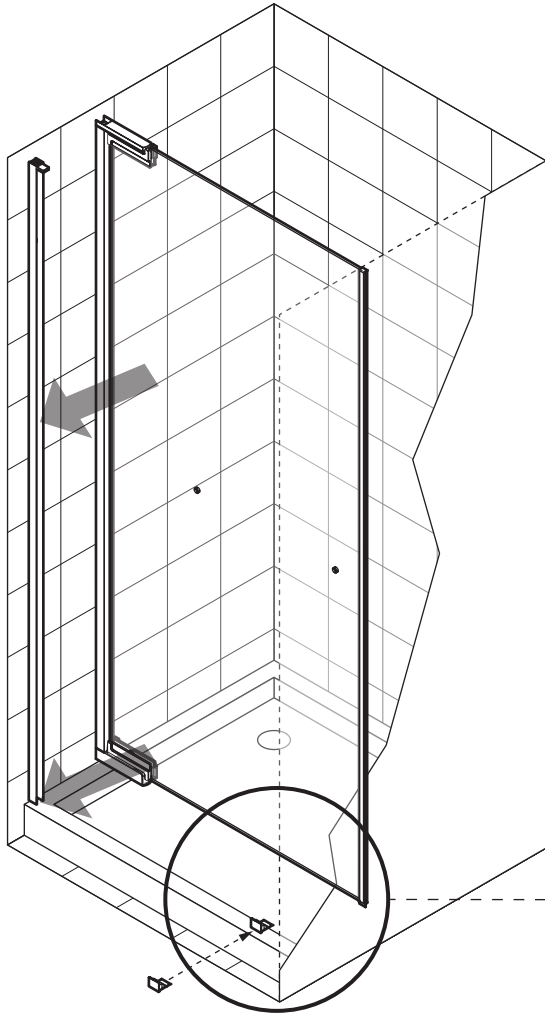
5

5

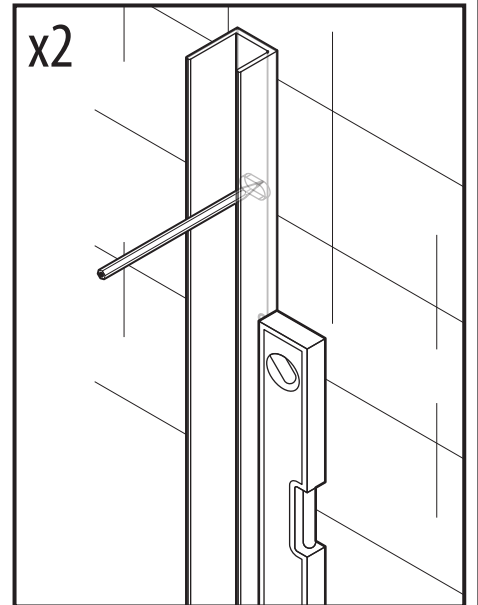
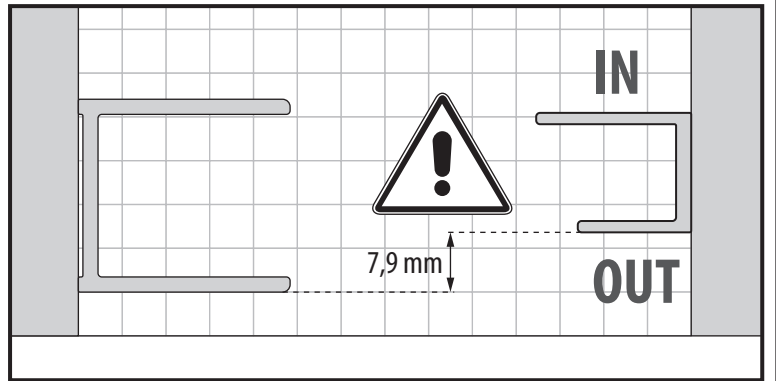
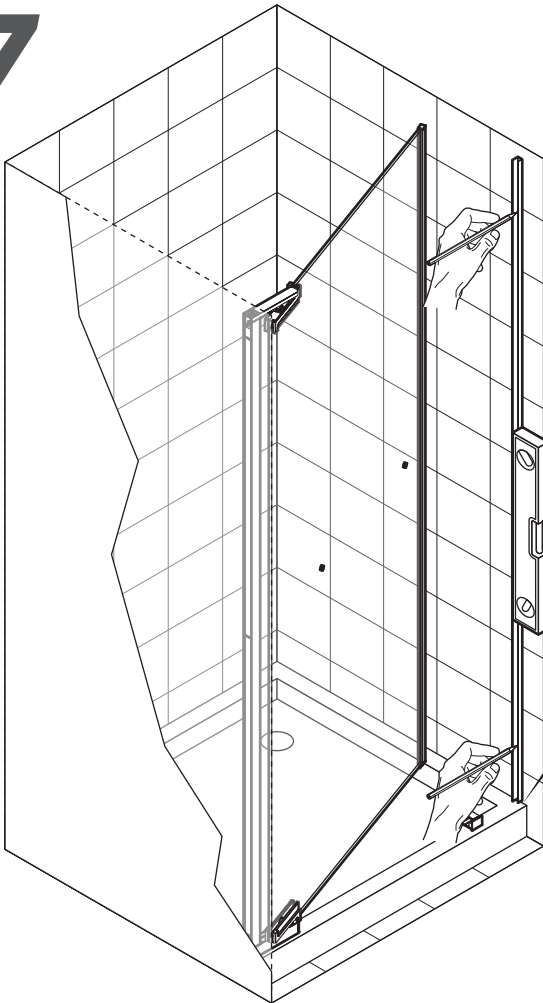


6

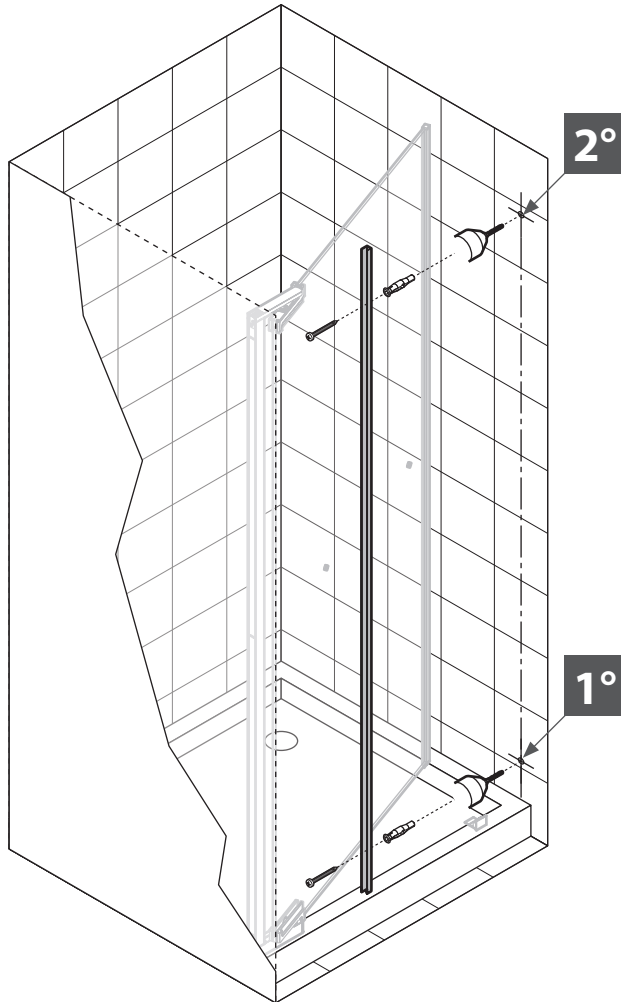
6



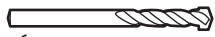


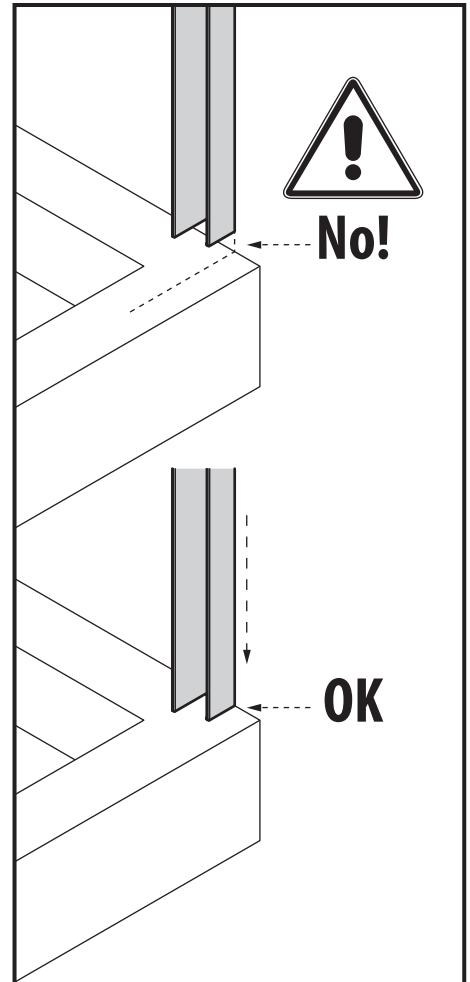
7



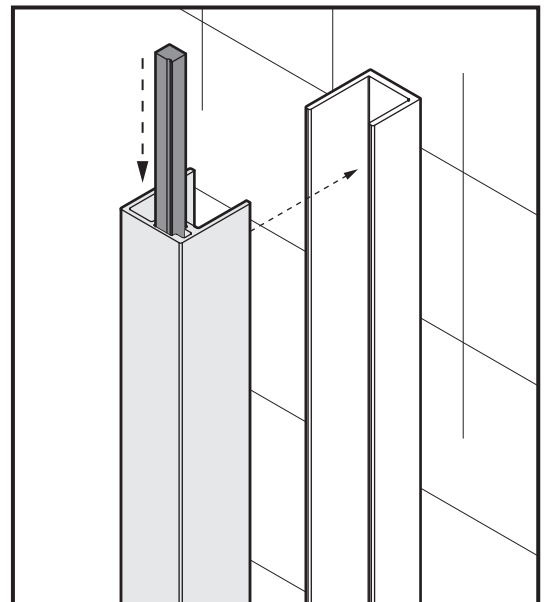
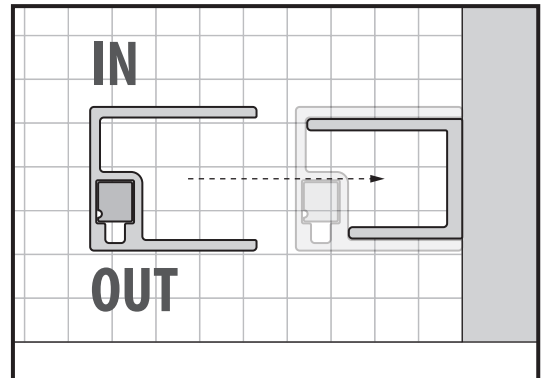
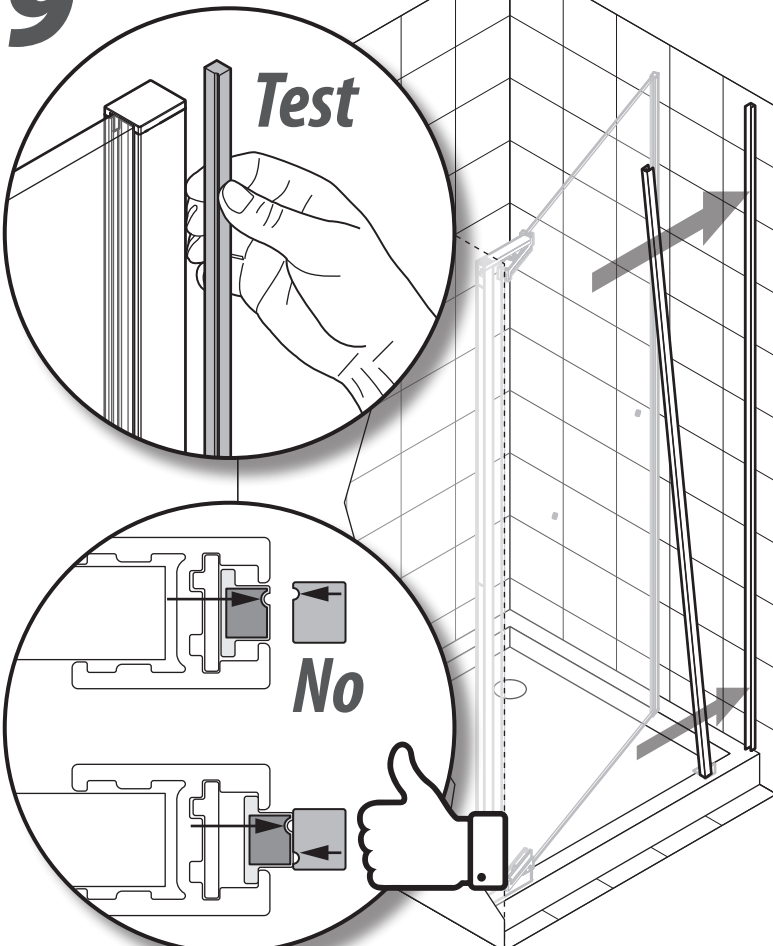
8



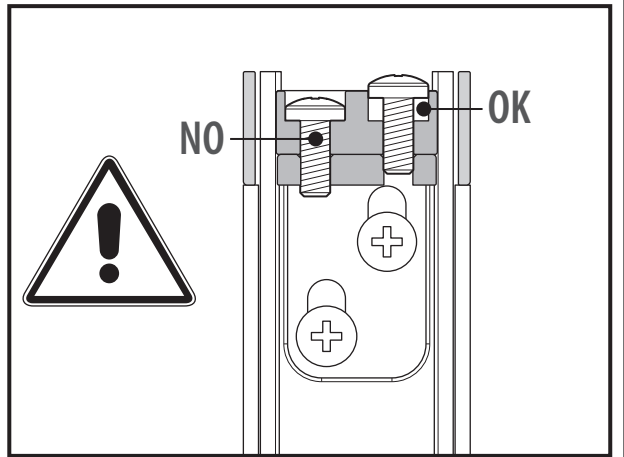
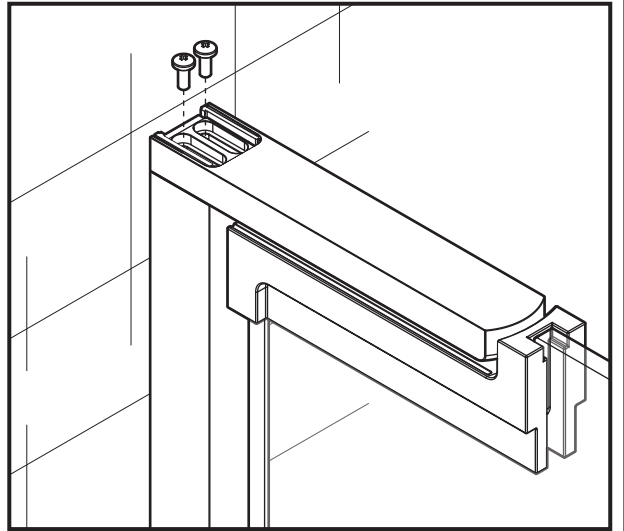
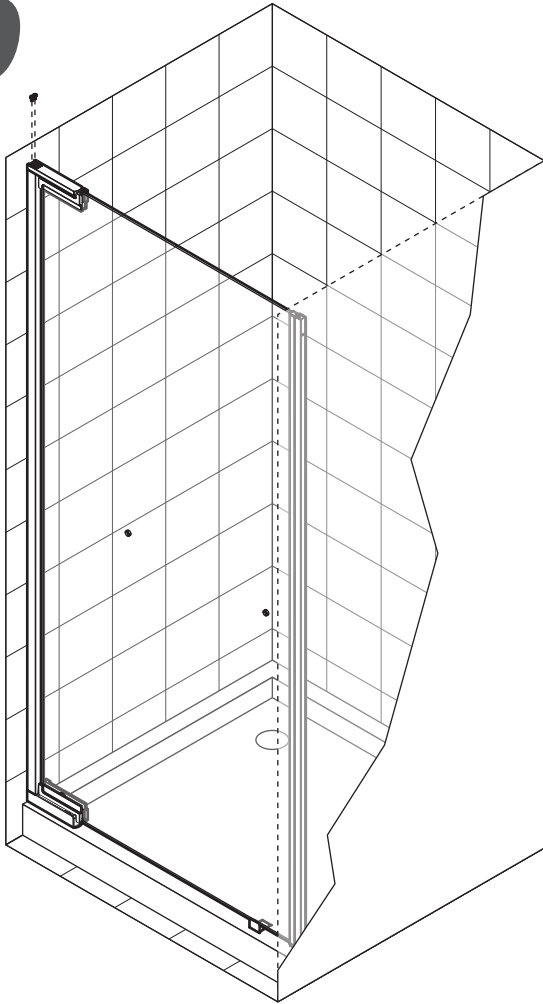
-  S6 x2
-  4x35 x2
-  $\varnothing 6$ mm



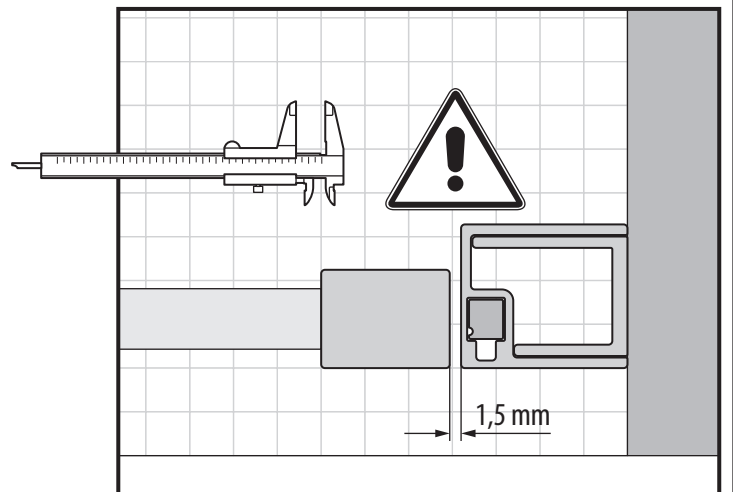
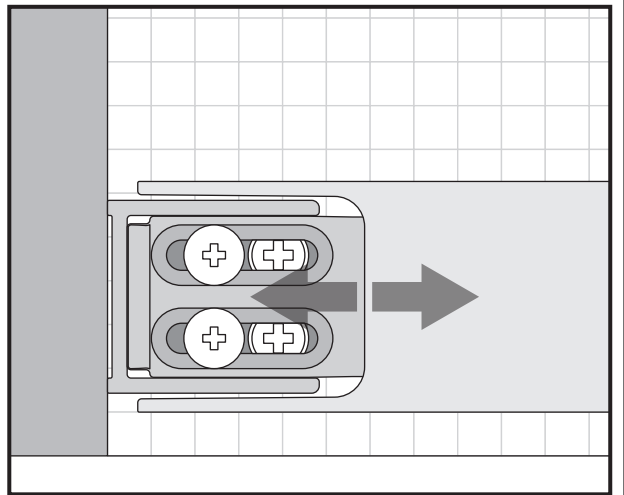
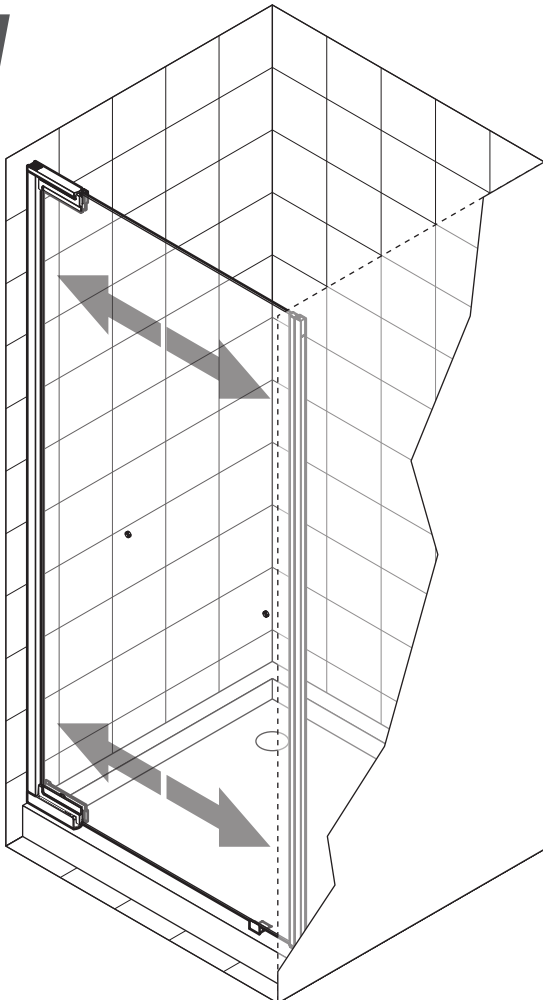
9



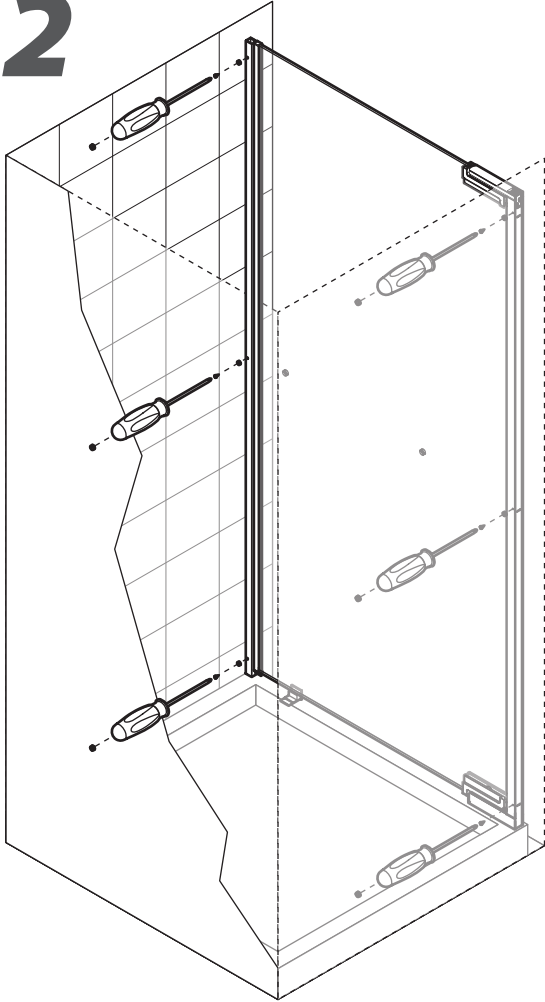
10



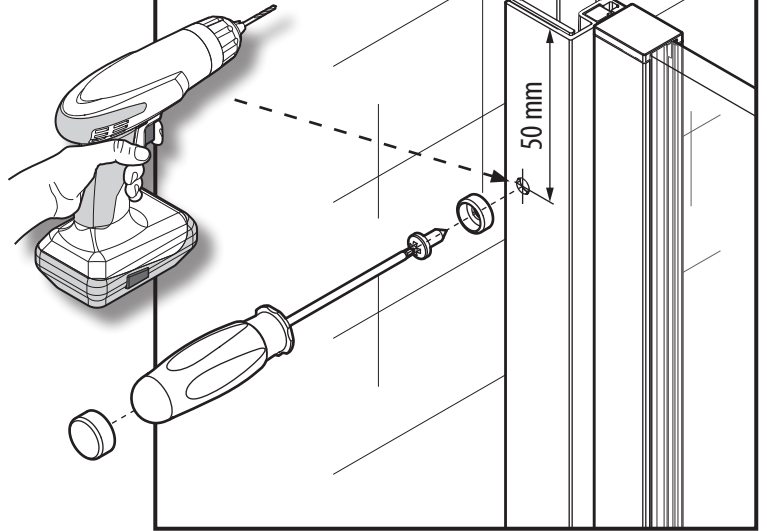
11



12



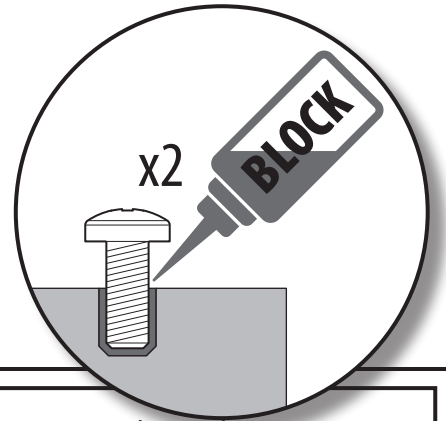
x6



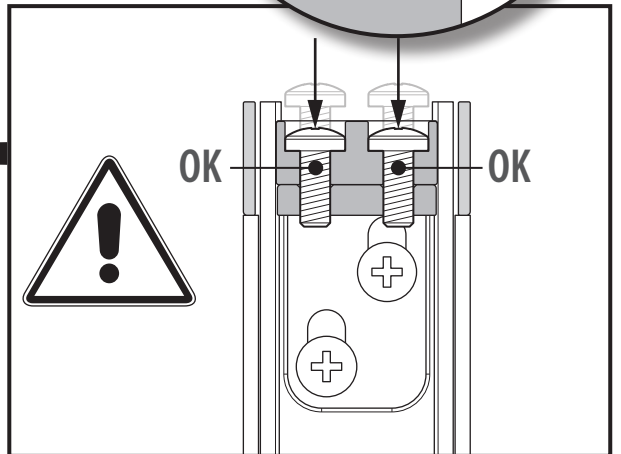
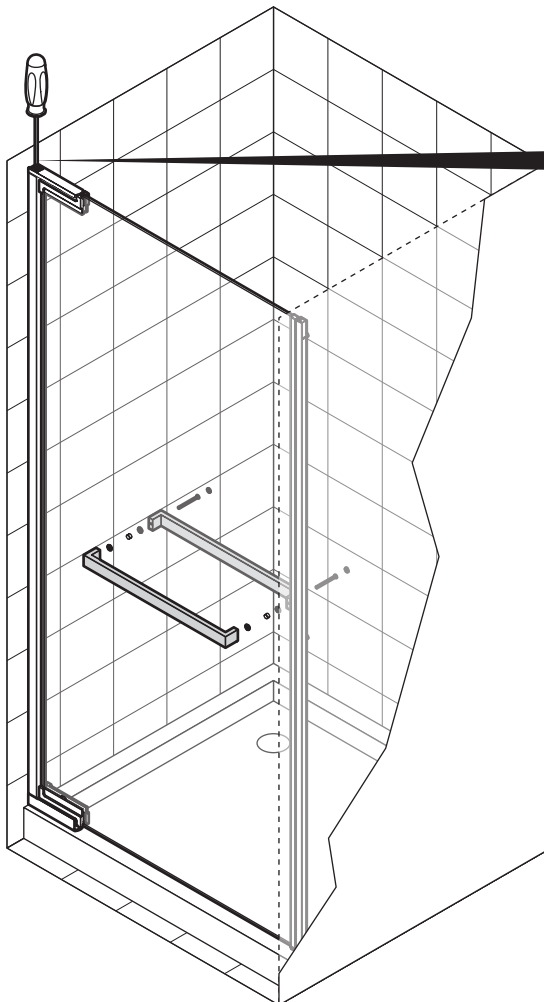
$\varnothing 3$ mm



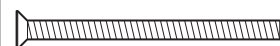
3,5x9,5 x6



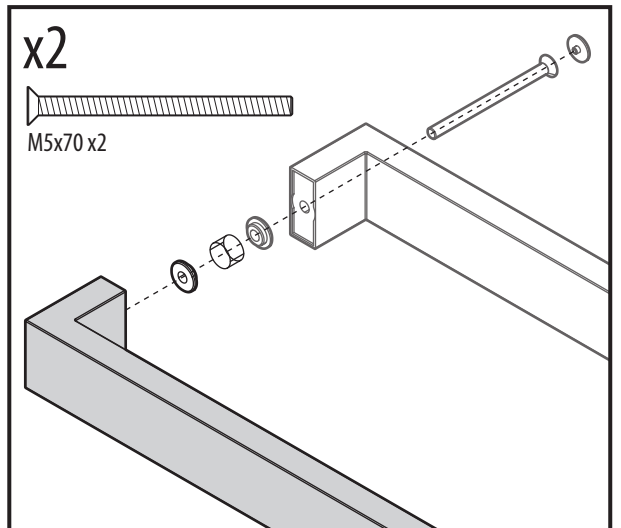
13



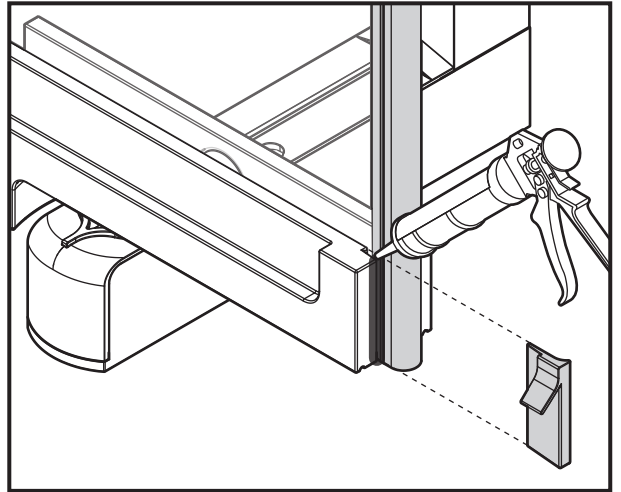
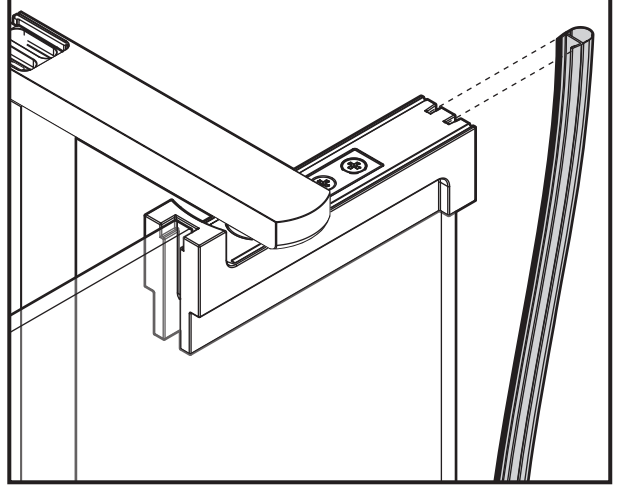
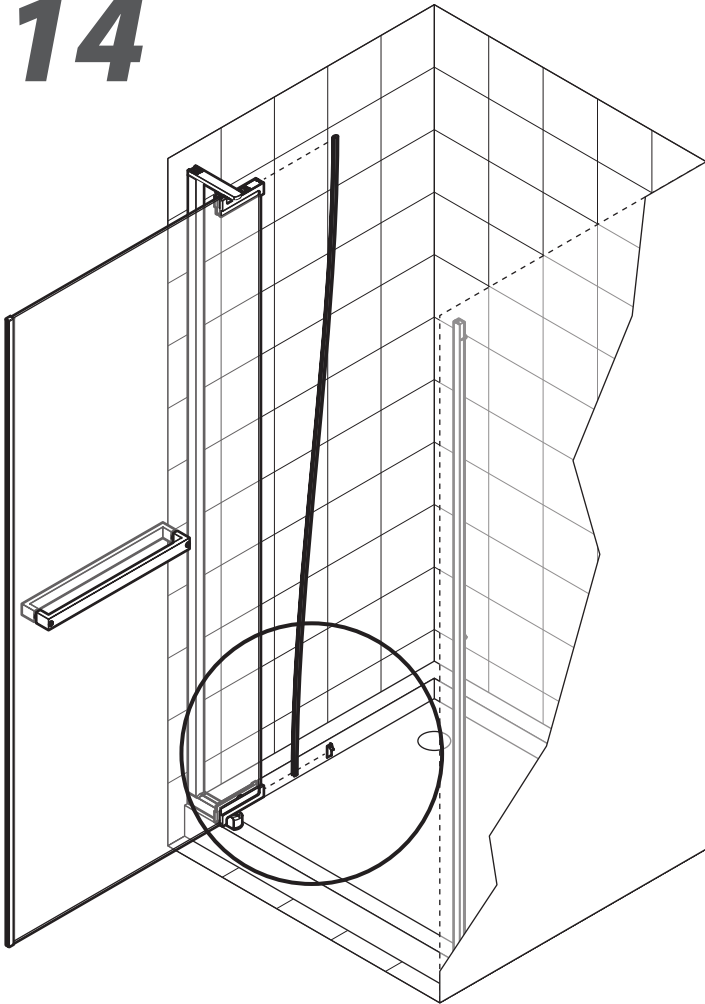
x2



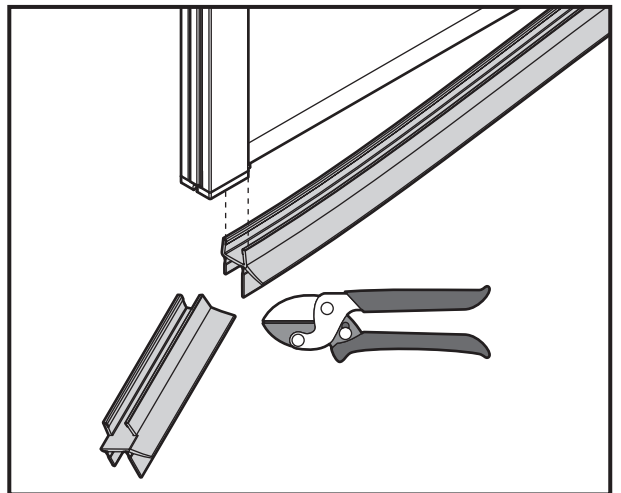
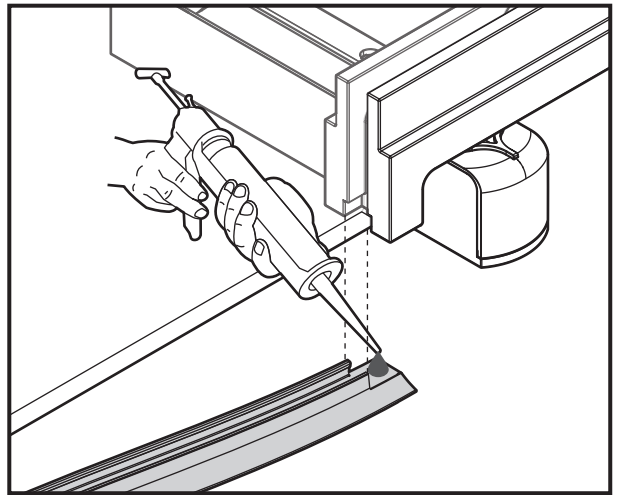
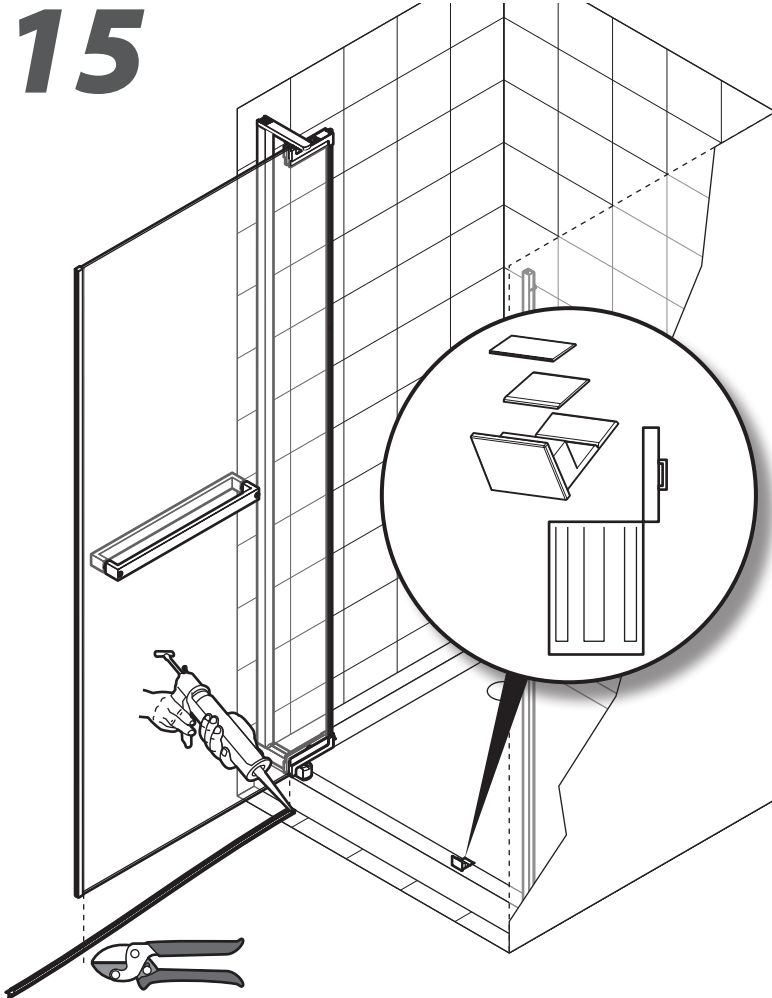
M5x70 x2



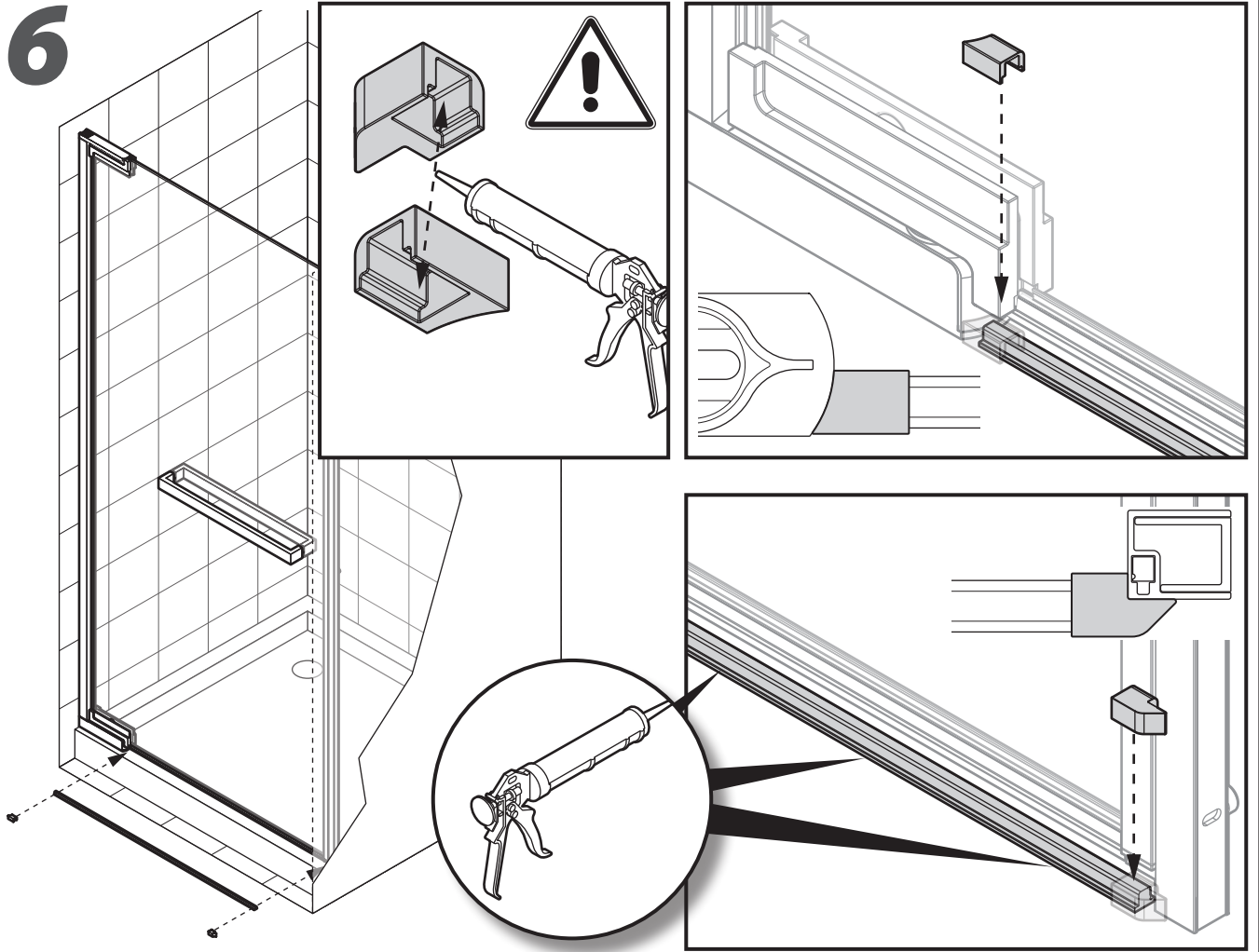
14



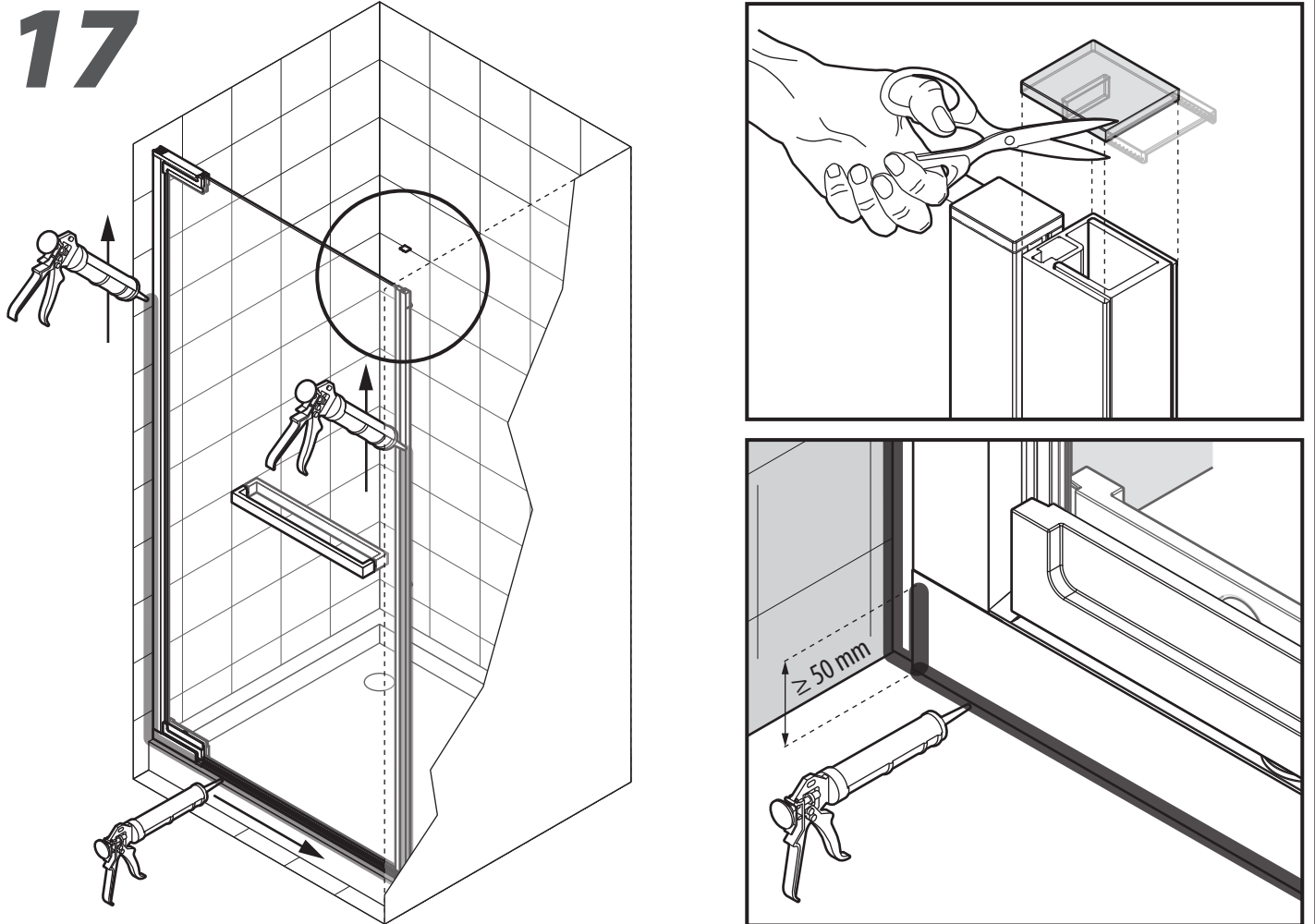
15



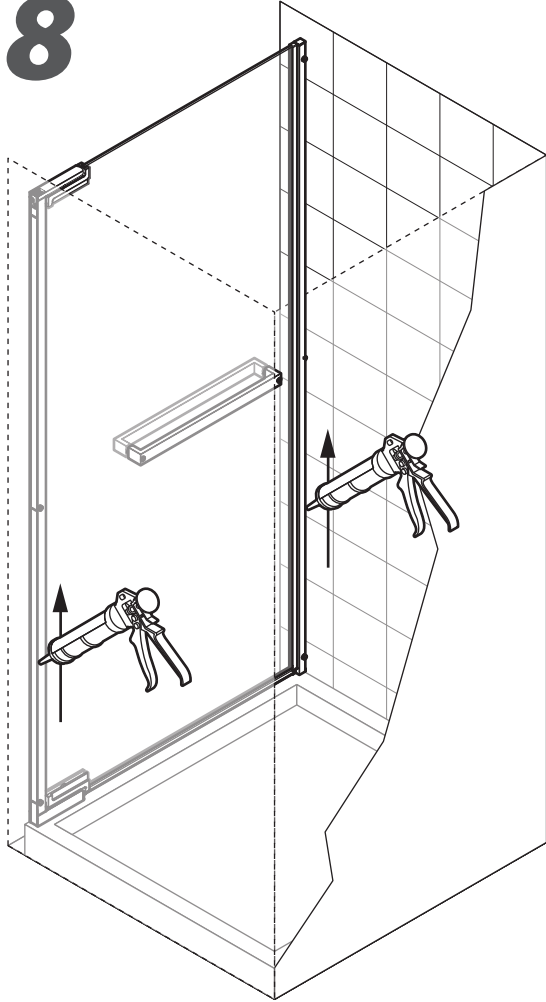
16



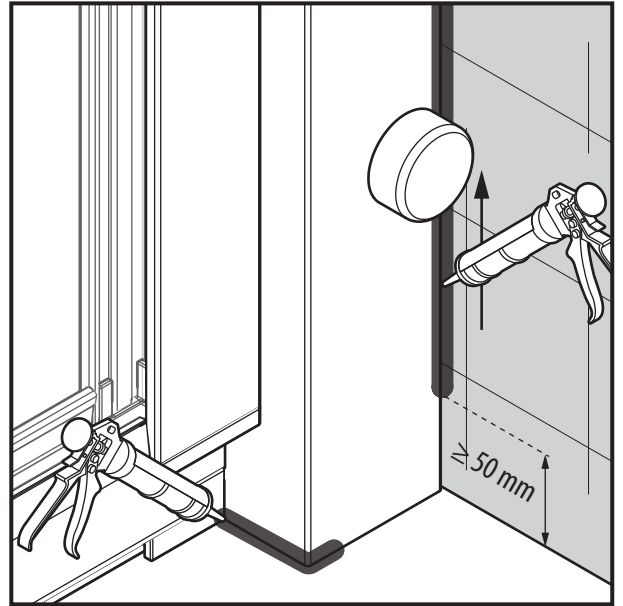
17



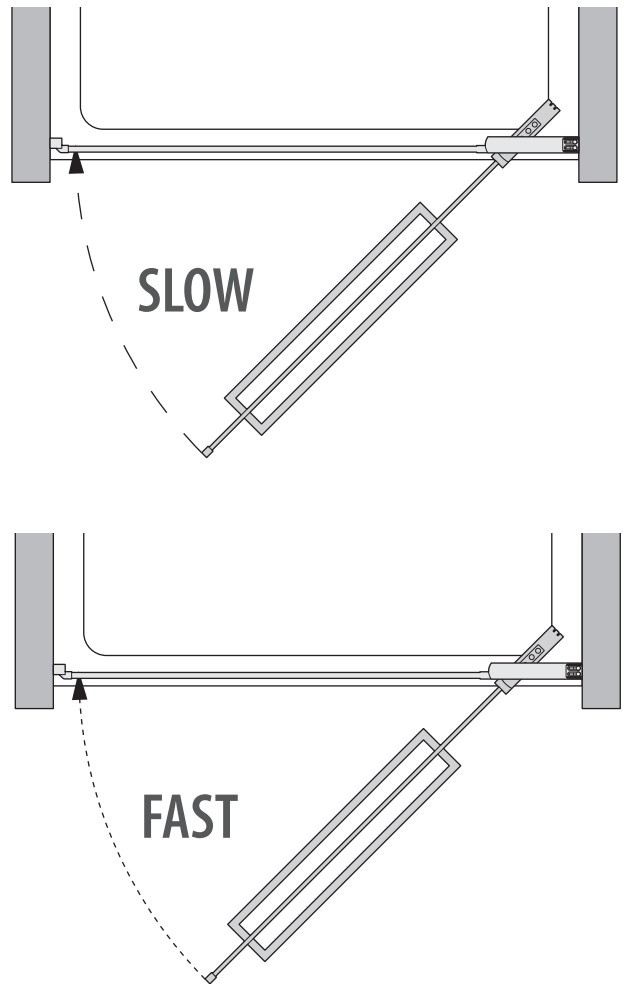
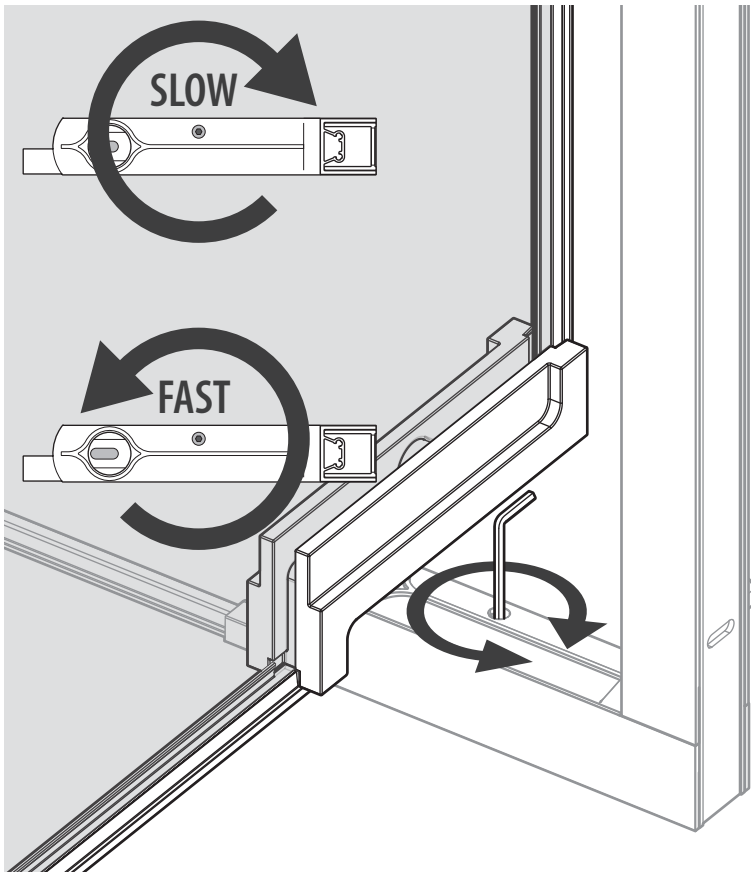
18



Optional



19



Note:

